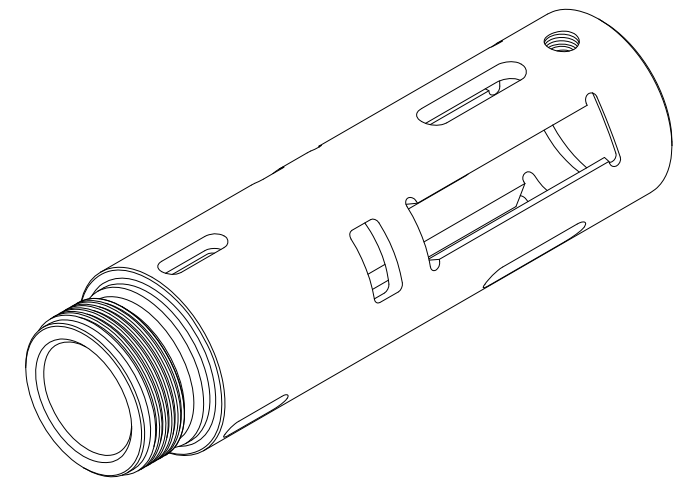


8 | 7 | 6 | 5 | 4 | 3 | 2 | 1

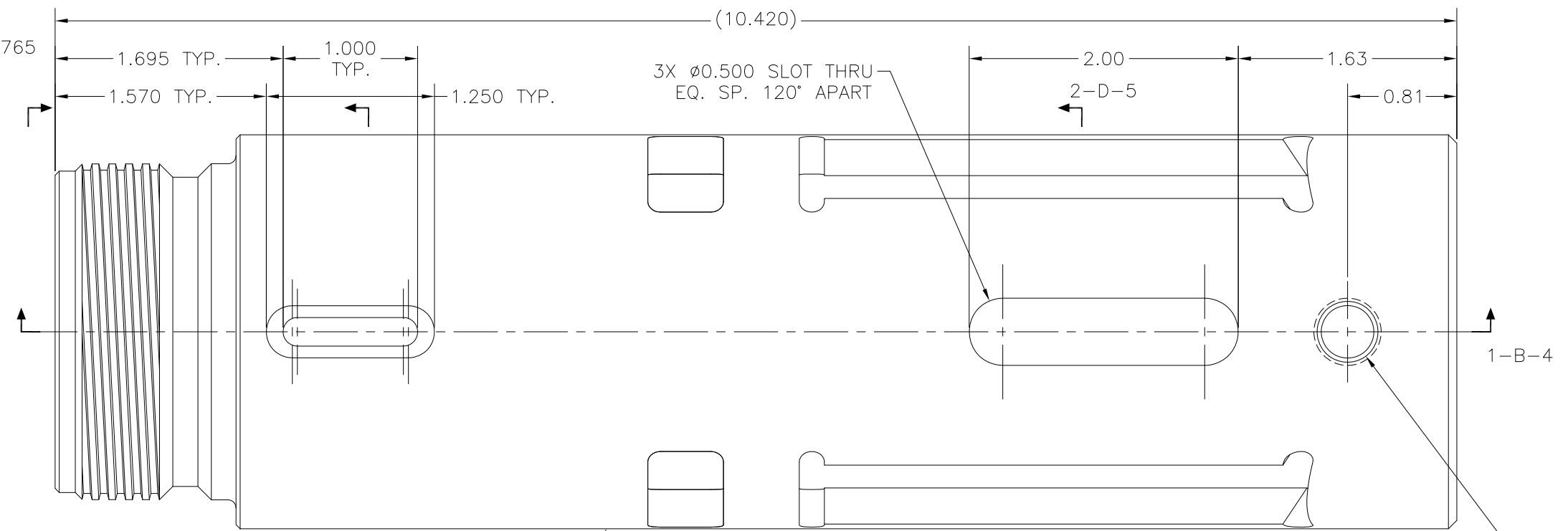
NOTES:

1. MATERIAL: BAR, 17-4PH/15-5PH,  $\phi 2.930 \times 10.420$  LG.
2. HEAT TREAT: COMMERCIAL HT.
3. SURFACE TREATMENT: XYLAN COAT (THDS. & 1.760/1.765 DIA. BORE) OR EQ.
4. THREAD TRUNCATION TAPERED SMOOTHLY AT BOTH ENDS.
5. WEIGHT: 6.35 LBS.

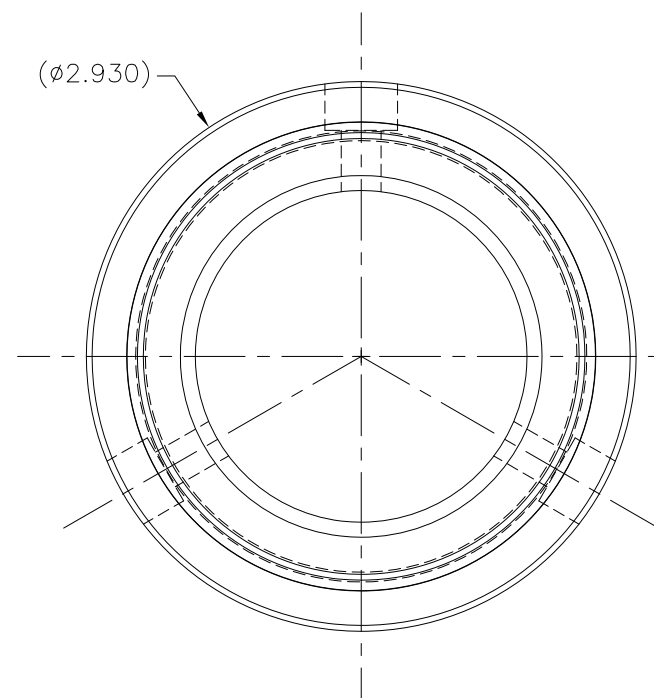
REVISIONS				
NO	DESCRIPTION	DATE	BY	APR/DATE
0	ISSUED FOR MANUFACTURE	05/12/10		



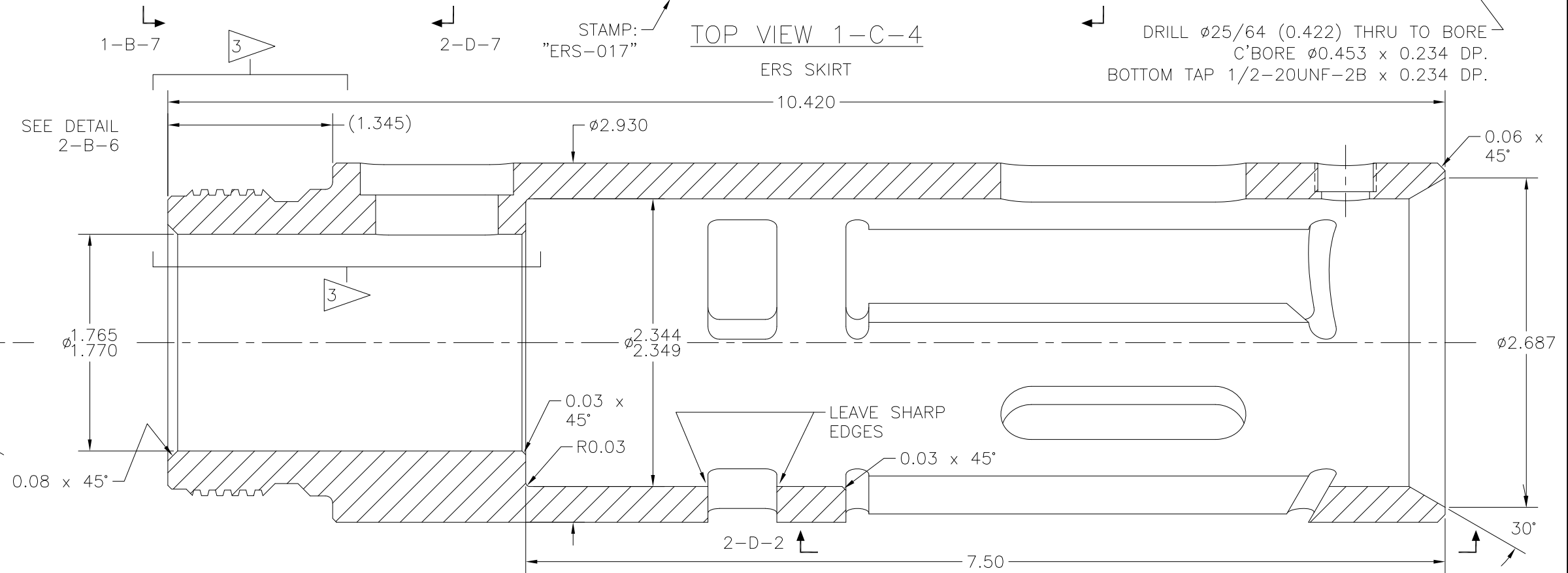
PICTORIAL 1-C-7  
ERS SKIRT  
N.T.S.



TOP VIEW 1-C-4  
ERS SKIRT



END VIEW 1-B-7  
REF. 1-C-6



SECTION 1-B-4  
REF. 1-C-1

TOLERANCES:  
UNLESS OTHERWISE SPECIFIED  
0.X ± 0.030  
0.XX ± 0.010  
0.XXX ± 0.005  
ANGLES ± 1/2°  
BREAK EDGES 0.015 x 45° MIN.  
FINISH 125/  
[0.010]A  
ALL DIMS ARE IN INCHES,  
UNLESS NOTED OTHERWISE.

PROPRIETARY NOTICE  
THIS DRAWING AND THE  
INFORMATION IT CONTAINS  
ARE CONSIDERED  
CONFIDENTIAL, AND MAY NOT  
BE REPRODUCED, COPIED OR  
USED, IN PART OR IN WHOLE,  
WITHOUT PRIOR WRITTEN  
CONSENT.

**Integrated Ocean Drilling Program**  
TEXAS A&M UNIVERSITY  
1000 DISCOVERY DRIVE  
COLLEGE STATION, TX 77845

SHEET 1 OF 2	TITLE ERS SKIRT
SCALE 1:2	SYSTEM
BY KM	DATE 04/01/10
APPROVED TP	CHECKED JCS
ASSEMBLY 3 ERS	SIZE D
P/N ERS-017	REV. 0

8 | 7 | 6 | 5 | 4 | 3 | 2 | 1